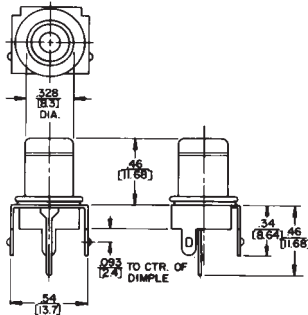
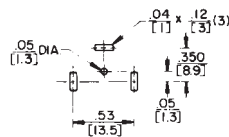


PC MOUNT PHONO JACKS

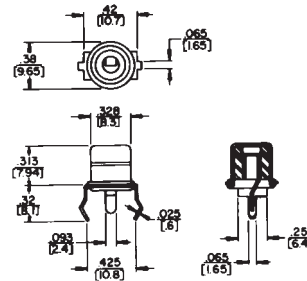
Number 3514PC



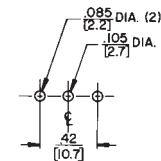
Recommended PC Board Layout (Component Side)



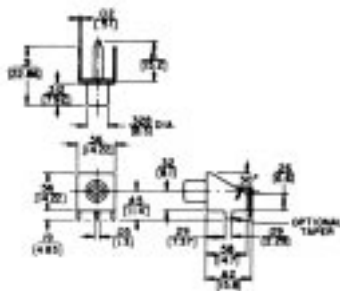
Number 3515PC



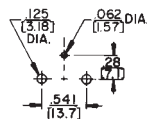
Recommended PC Board Layout (Component Side)



Number 3517PC



Recommended PC Board Layout (Component Side)



DIMENSIONS ARE FOR REFERENCE ONLY $\frac{\text{Inch}}{\text{(mm)}}$

NOTE: Contact your Switchcraft Representative for price and delivery.